

Fig. 1 - Stand the frame on its back edge with the pocket opening facing upwards. Slide the aluminium track section A into the head of the frame B. PVC profiles and the milling must be kept outside the frame (see fig 3 and 4).

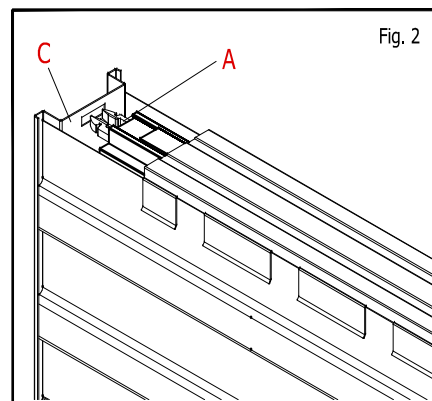


Fig. 2 - Push the track section (A) into the head (see fig. 1) and locate and lock the peg C into its slot.

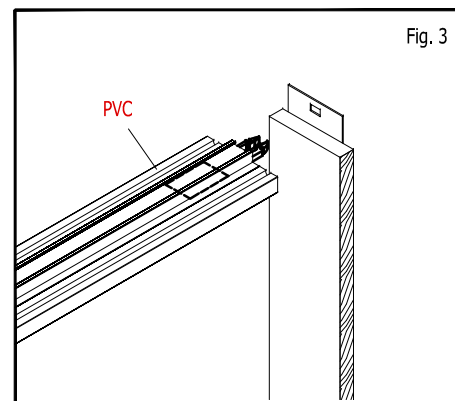


Fig. 3 - Slide the top fixing brackets E (see fig 7) on to the upper side of the track section, then locate and lock the peg into its slot on the timber jamb section.

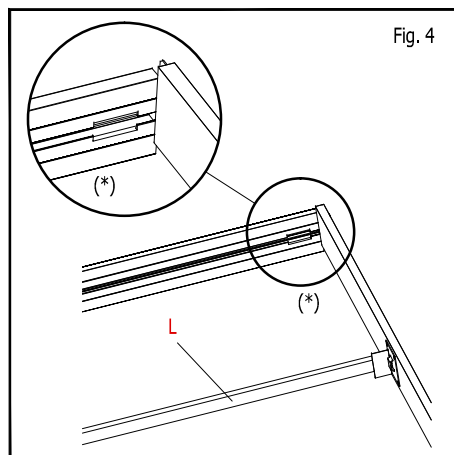


Fig. 4 - Fix the spacer bars between the main frame and the timber jamb section (see fig 4). Track section detail and milling for hanging kit insertion.

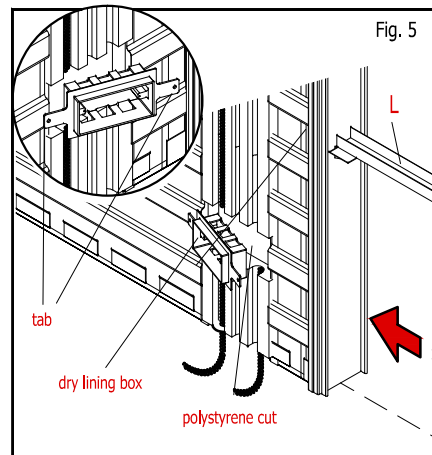


Fig. 5 - Cut the polystyrene and introduce the dry lining boxes in place. Introduce both tabs first one and then the other. Tabs should be introduced to correspond with raised corrugations of the pocket side panels using the screws supplied.

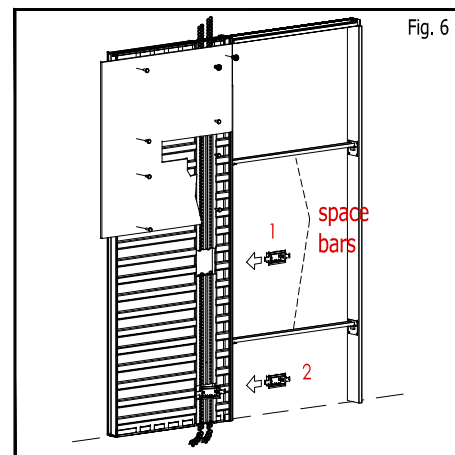


Fig. 6 - The application of the dry lining boxes for switch (1) and sockets (2) are as showed in the picture. To host the electrical pipes are supplied nr 2 dry lining boxes if necessary another dry lining boxes could be ordered.

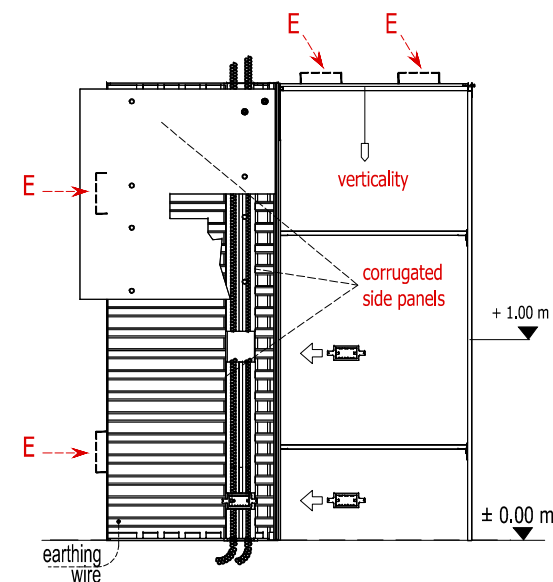


Fig. 7 - Check the verticality before fitting the frame. Fix the pocket system to the stud using the Omega profile. The screws supplied with the system are suitable for 12.5 mm plasterboard. Holes should be drilled to correspond with the raised corrugations of the pocket side panels. Only screws less than 19 mm should be used with 12.5 mm plasterboard. The door hangers and fittings are packed inside the pocket, behind the protective panel.

Magic Box Serie on each side of the frame there is n° 1 earthing wire

Protek s.r.l. reserves the right from time to time to make such alterations in design and manufacture as they consider necessary without notice. Drawing, specifications, illustrations, tables, and other details are not binding in detail. Conditions of sale are as those published on the company's tender terms.