







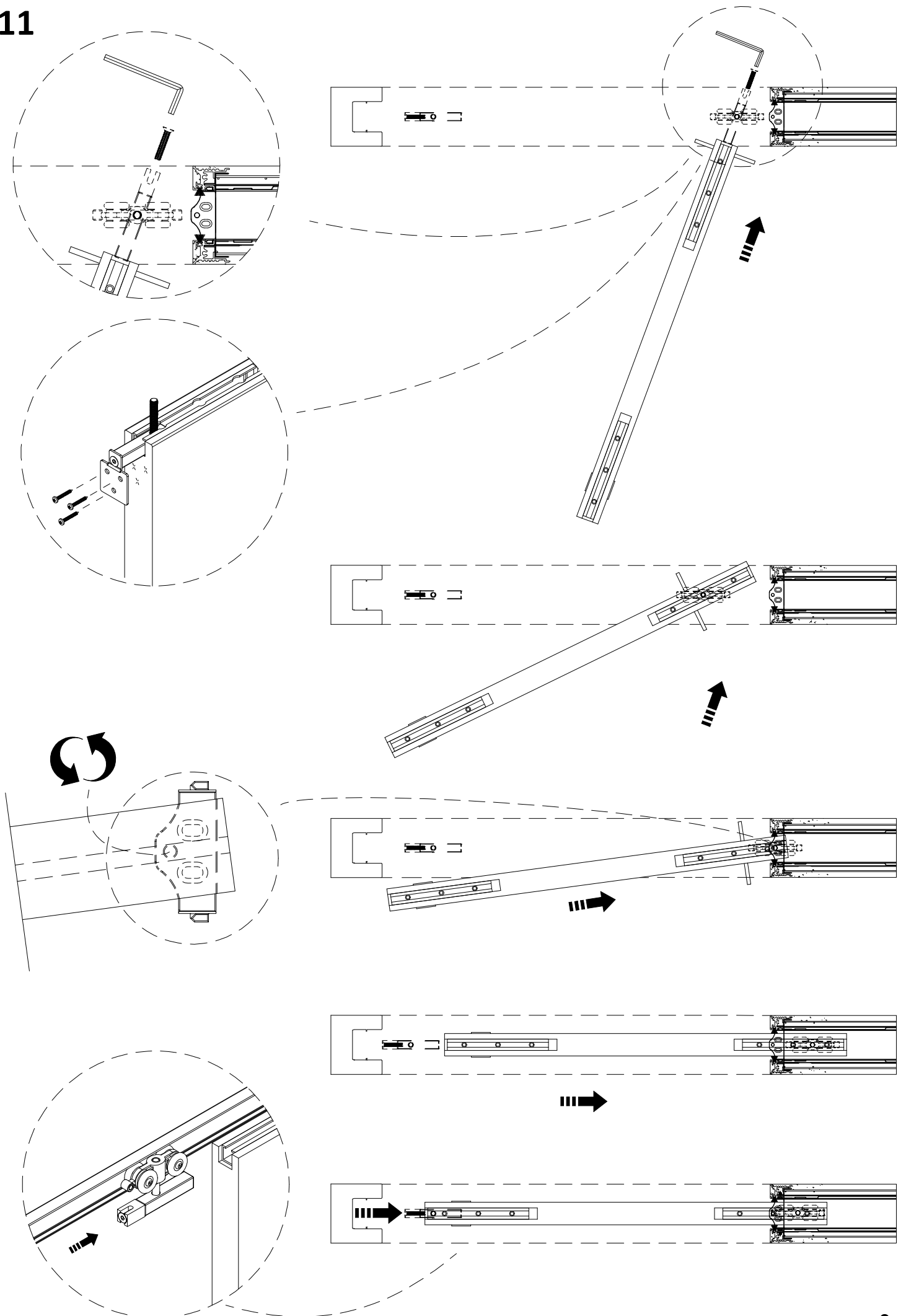






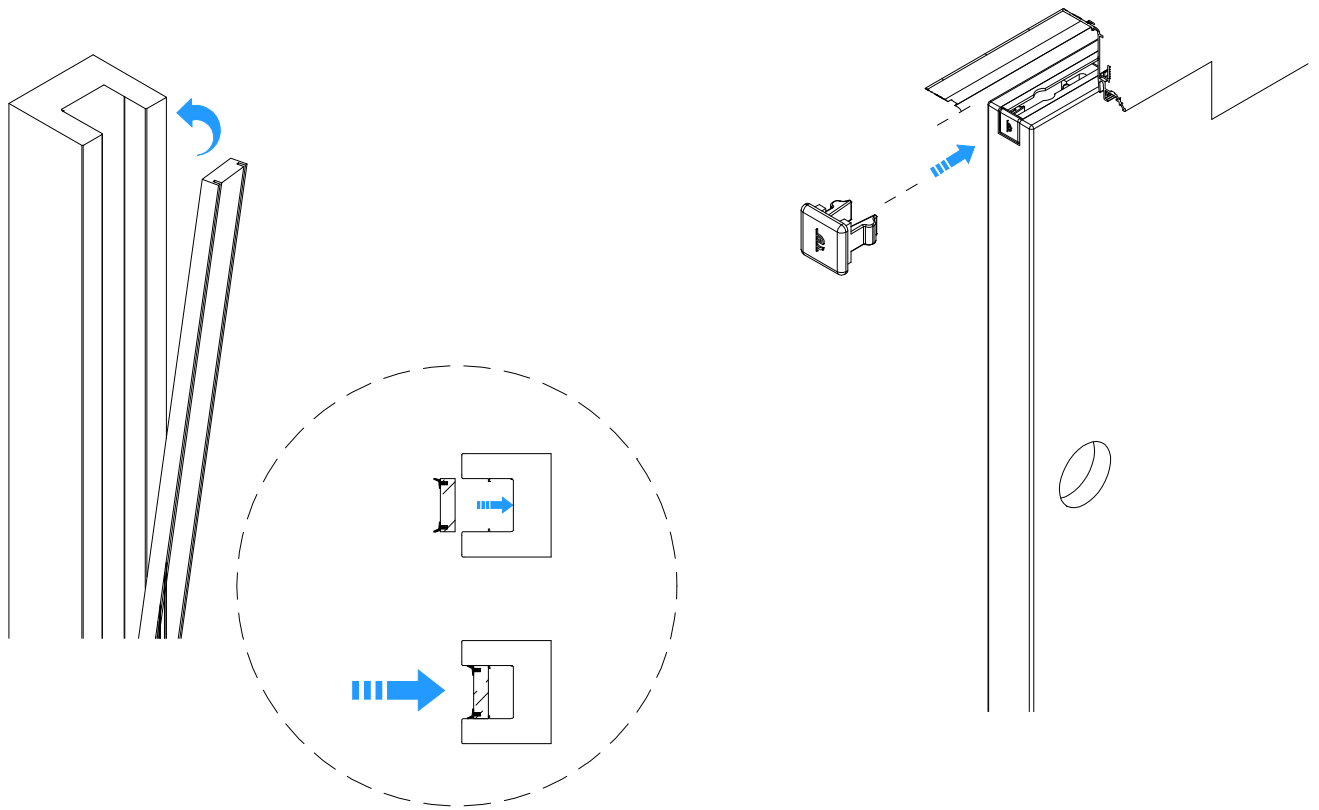


11

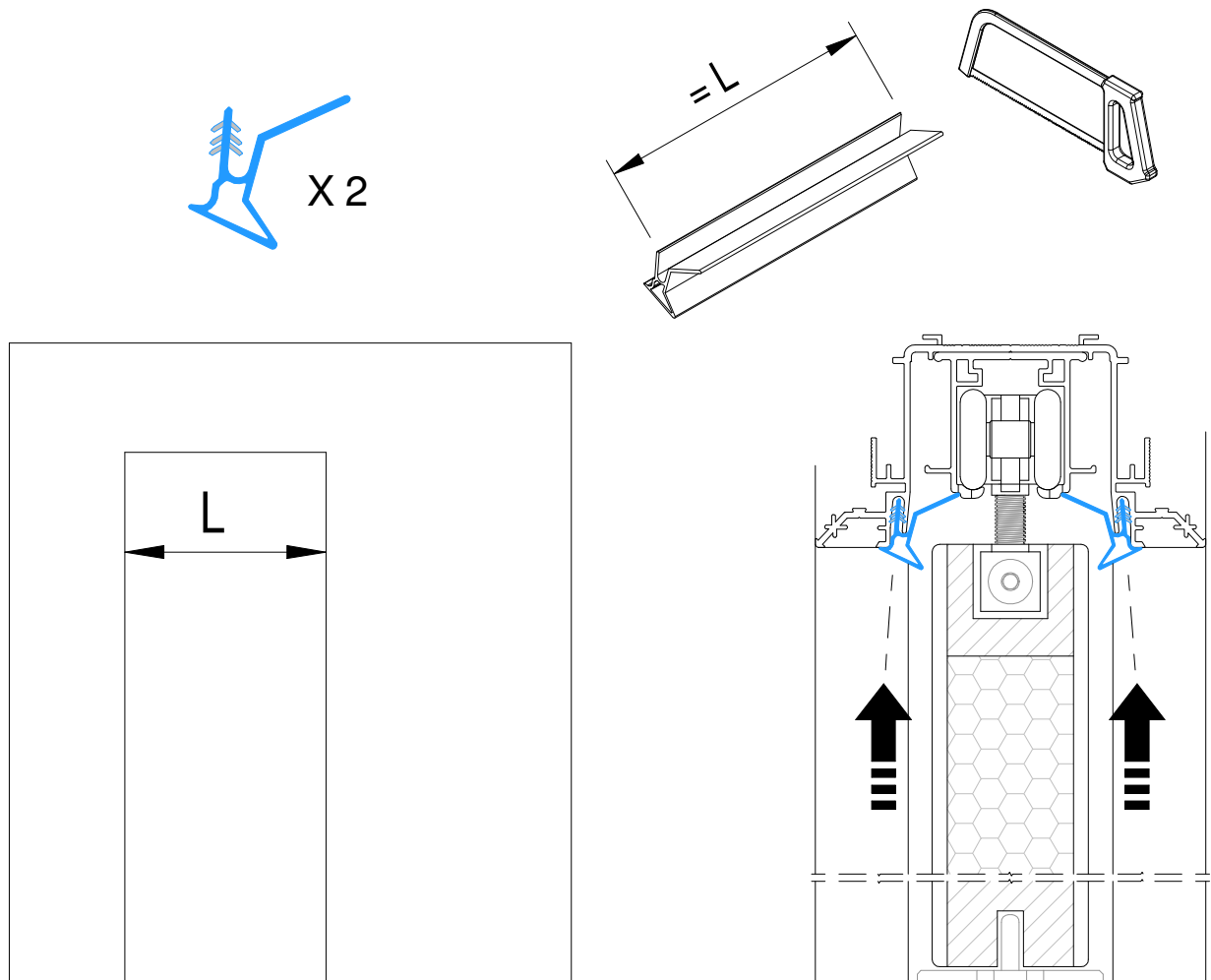


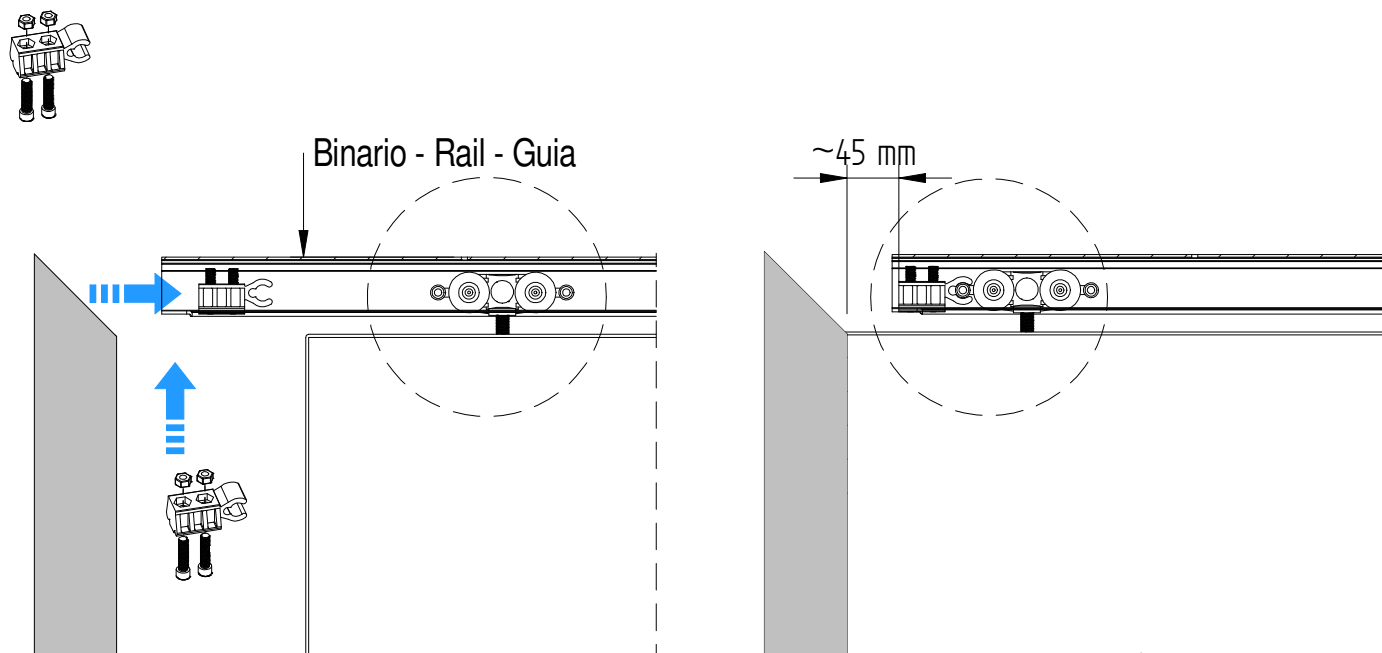


12



13



*Deurstopper - Stoppeur - Door stopper - Freno*

## Notes

---

---

---

---

---

---

 **Ermetika**  
LIVE YOUR SPACE



+39 0883 535781



[tecnico@ermetika.it](mailto:tecnico@ermetika.it)



[www.ermetika.it](http://www.ermetika.it)